

TANK FOR LPG $\phi 2400$ MM (OVERGROUND)

TANK IS MADE ACCORDING TO 97/23 ED, DESIGN IS APPROVED BY TÜV

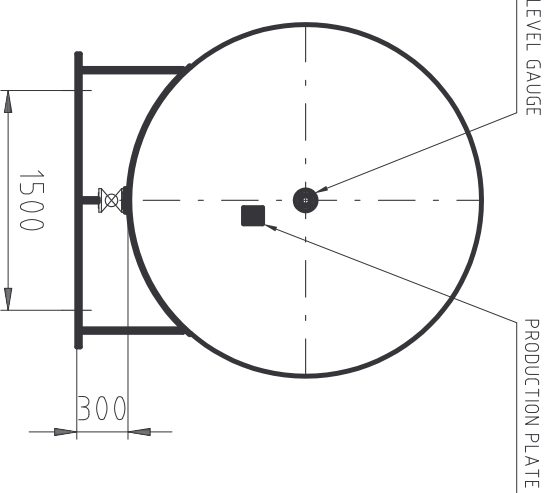
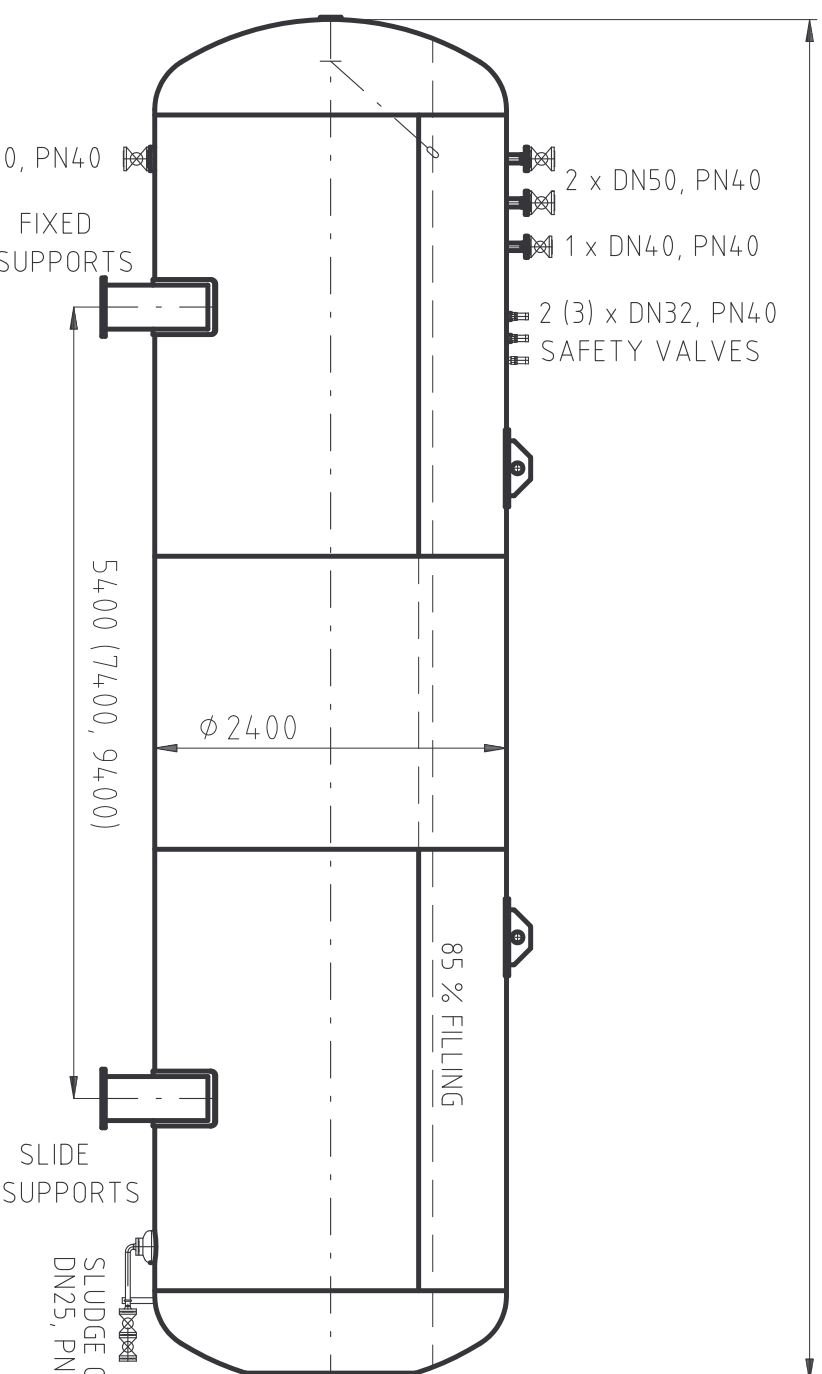
9290 (11290, 13290)

SURFACE FINISHING

SHOT BLASTING - 2 1/2 DIN 55 928

PRIME COAT 60 μ m

TOP COAT 60 μ m



TECHNICAL DATA


MEDIUM	PROPAN, PROPAN-BUTAN EN 589
FILLING	85 %
MAX. WORKING PRESSURE	15, 6 bar
WORKING TEMPERATURE	+40°/-20° C
TESTING PRESSURE	22,3 bar

DIMENSIONS

CAPACITY (m ³)	LENGTH (mm)	WEIGHT (kg)	WEIGHT BY PRESSURE TEST (kg)
39,5	9290	614,7	4,564,7
48,5	11290	7323	55823
57,0	13290	84,98	654,98

EQUIPMENT

ACCORDING TO 97/23 ED
LOCATION AND QUANTITY OF COUPLING AFTER ORDERER

 <p>VÝCHODOČESKÉ PLYNÁRENSKÉ STROJÍRNÝ a.s. ROSIČE U CHRÁSTI</p>		Vypracoval:	PESEK M.	27.6.05	Schválil:	ing SEDLÁK P.
		CAD-Název:			Název akce:	www.vpsr.cz
<p>Název</p> <p>TANK FOR LPG $\phi 2400$ OVERGROUND</p>		<p>Číslo výkresu</p> <p>VPS 2-4-0069</p>		<p>Změna</p> <p>4</p>		Formát